

Precision High Voltage Resistors

Type: HVM

Sizes: HVM 25, HVM 50

Features:

- High Voltage Resistors in thick film technology
- Radial leads, variable lead spacing by bending
- Climatic protection by silicone coating
- Chip version available (without coating)
- Special versions possible
- Resistance values up to 10 Tera-Ohm
- Low values of TCR and VCR



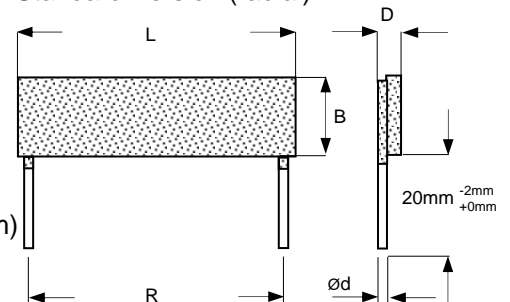
Dimensions:

Size	L	B	D	R	d
HVM 25	25.0 (1")	9.0	1.4	22.9 (0.9")	0.40 ± 0.05
HVM 50	50.0	12.5	1.4	47.8	0.40 ± 0.05

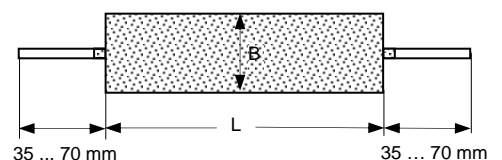
L = length, B = width, D = thickness (Tolerance of dimensions: ± 0.5 mm)
R = standard lead spacing (other spacing possible by bending)
d = wire diameter (in mm), other diameters possible (changes D)

Axiale versions, versions with formed leads and versions with leadframes are available on request.

Standard Version (radial)



Special Version (axial)



Packaging:

Bulk in plastic bags or boxes
Minimum quantity: 10 pieces per value

The labeling is made at the packing unit only.

Any marking of single components is not available (only on request at individual cases).

Ordering data:

Type – value – tolerance – TCR

Example: HVM 50 10G $\pm 10\%$ TCR 100

If no data for TCR are supplied, the highest value in the table will be supplied.

The standard measuring voltage is 10V, other voltages on request.

Issue 09-2009

Precision High Voltage Resistors

Type: HVM

Sizes: HVM 25, HVM 50

Technical data – depending on size:

Size	HVM 25	HVM 50
Power rating $P_{70}(W)$ ($P_{125} = 0W$)	1.0	3.0
Working voltage U_{-}, U_{eff} (V)	15 KV	30 KV

Ranges / Tolerances / TCR ¹⁾ / VCR ²⁾		
1M – 100M	0.1 / ... / 20% TC 25/50/100 1 ppm/V	0.1 / ... / 20% TC 25/50/100 1 ppm/V
>100M – 300M	0.25 / ... / 20% TC 25/50/100 2 ppm/V	0.25 / ... / 20% TC 25/50/100 1 ppm/V
>300M – 1G	1 / ... / 20% TC 25/50/100 2 ppm/V	1 / ... / 20% TC 25/50/100 1 ppm/V
>1G – 100G	5 / ... / 30% TC 100/250 10 ppm/V	5 / ... / 30% TC 50/100 5 ppm/V
>100G – 1T	5 / ... / 30% TC 250/500 50 ppm/V	5 / ... / 30% TC 100/250 25 ppm/V
>1T – 10T	10 / 20 / 30% TC/VCR on request	10 / 20 / 30% TC/VCR on request

¹⁾ TCR: in ppm/K; TC25/50: Temperature range +25°C...+85°C

²⁾ VCR: typical values

Closer values of tolerance, TCR and VCR, other values or dimensions on request and agreement

General technical data:

Temperature range	-55°C ... +125°C
Climatic category to EN 60068-1	55/125/56
Humidity- / contact protection	Lacquer coating ³⁾

Long term stability	≤ 1G	1 - 10G	> 10G
Storage 125°C/1000h	< 0,5%	< 1%	< 2%
Storage 25°C/1000h	< 0,1%	< 0,5%	< 1%
Max. voltage/1000h	< 0,25%	< 1%	< 2%

³⁾ Resistant to most solvents. For cleaning the use of isopropyl alcohol (IPA) is recommended.
The use of acetone and methylene chloride is **not** allowed.

Specifications subject to change without notice

Issue 09-2009

SRT Resistor Technology GmbH
Ostlandstr. 31
D-90556 Cadolzburg
Germany

Fon: +49 (0)9103 / 7952-0
Fax: +49 (0)9103 / 5128
E-mail: info@srt-restech.de
Internet: www.srt-restech.de